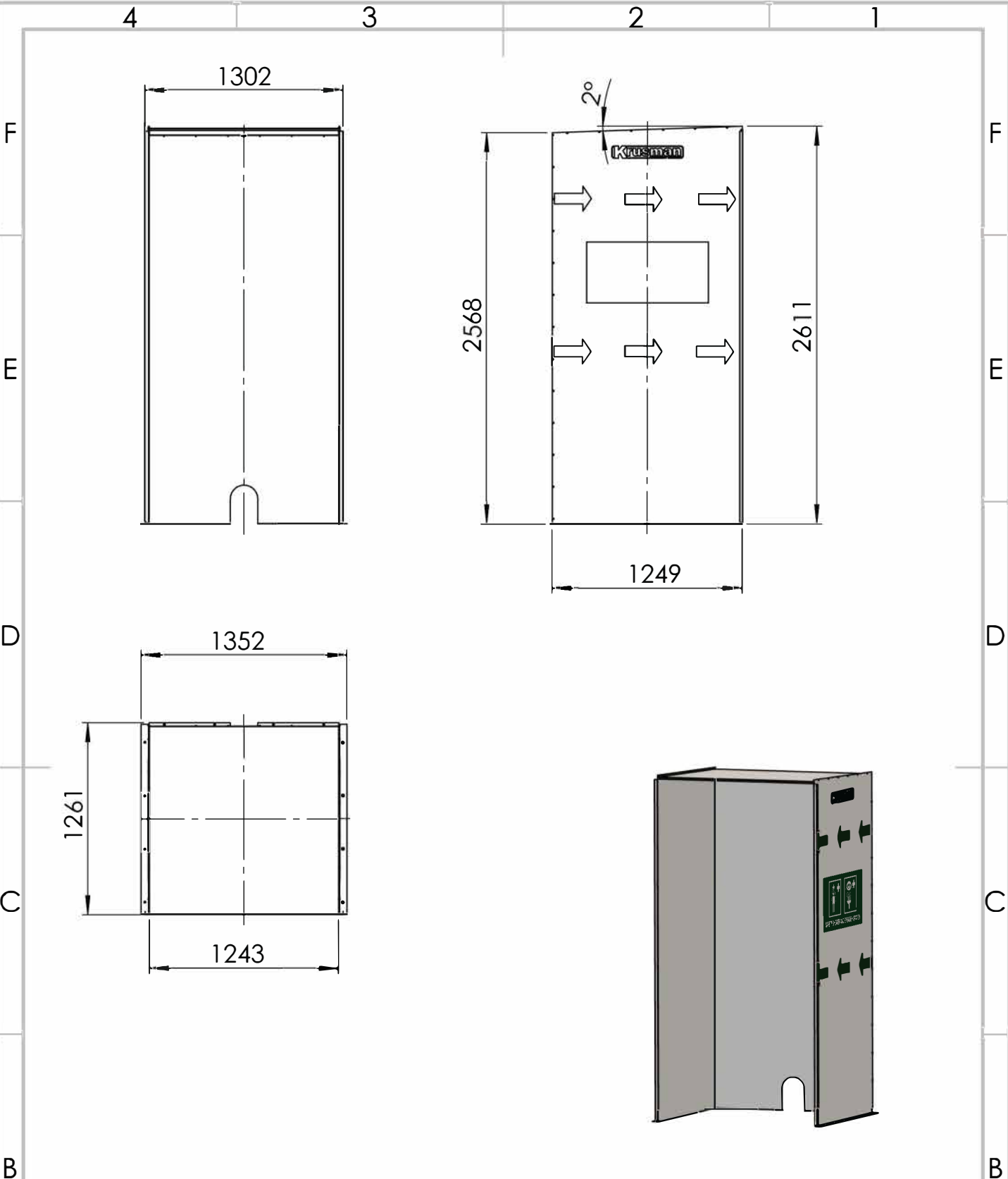




This document may not be copied without our written permission, and its contents may not be distributed to third parties or used for any unauthorized purpose. Violation will be prosecuted.



	Name	Date		
Created by:	PP	2025-09-22		
Approved by:	SG	2025-09-22		
Material:			Title:	3010 Stainless steel shower cabin for insulated showers
Comments:	-		Customer drawing	
			Size	Revision
			A4	0
			Drawing number: 3010	
			Scale:	Page 1 of 1
			Weight(kg):	107
			Tolerance: ISO 2768-m-	

Tel.46(0)21149200  
www.krusman.com