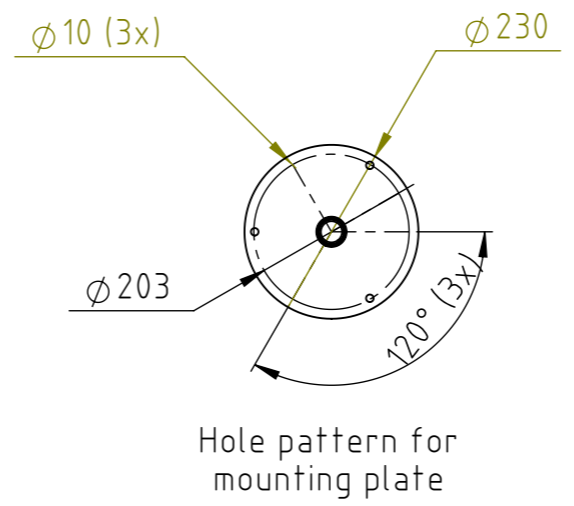
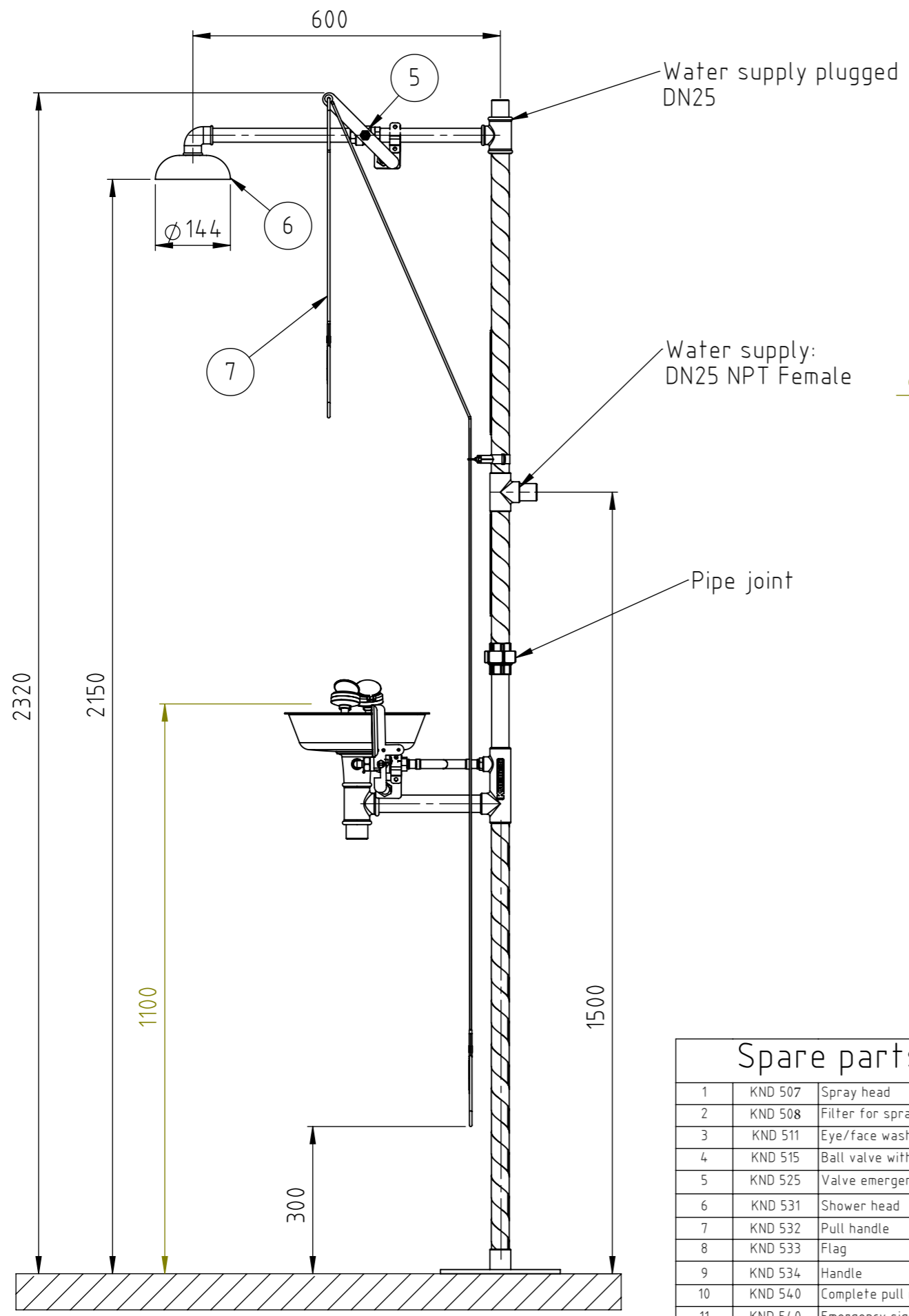


This document must not be copied without our written permission, and the contents thereof must not be imparted to a third party nor be used for any unauthorized purpose. Contravention will be prosecuted.



Spare parts list		
1	KND 507	Spray head
2	KND 508	Filter for spray head
3	KND 511	Eye/face wash outlet
4	KND 515	Ball valve with push plate
5	KND 525	Valve emergency shower
6	KND 531	Shower head
7	KND 532	Pull handle
8	KND 533	Flag
9	KND 534	Handle
10	KND 540	Complete pull rod
11	KND 540	Emergency sign, eye wash
12	KND 547	Emergency sign, shower
13	IG5533	Inductive Proximity Switch
14	77777	DN32 - DN40 adaptor NPT

Företag/Company	Konstruerad Av/Designed by	Godkänd Av/Approved by	Datum/Date	Skala/Scale	
Krusman EMERGENCY SHOWERS	JB	MH	2020-06-23	1:10	
Benämning/Description				Format/Size	
Combination Shower RSK 821 3873				A3	
Installation drawing				Ritningsnummer/Drawing number	
				R3873	
				Rev	Blad/Sheet
				0	1 (1)

